

Recessed CE3535

CE3535-N90

CE3535-N90

Basic Parameters

Application	Indoor
Material	AL6063-T5,spraying surface
IP Grade	IP20
Warranty	5 years

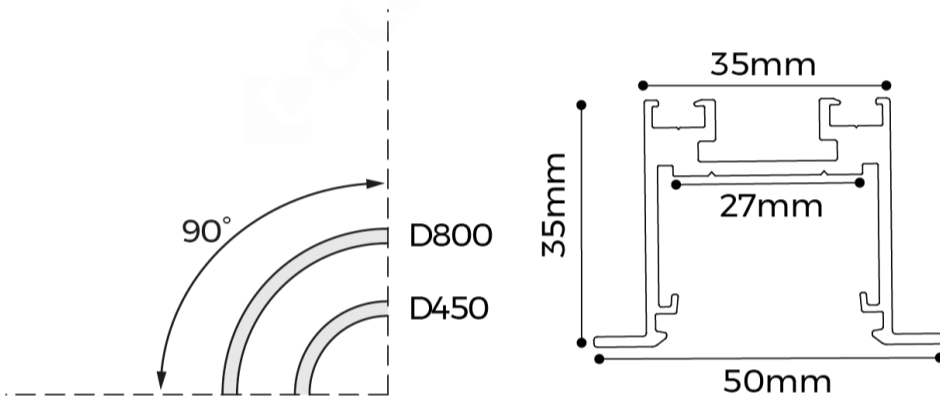
Electrical Parameters

Optical Parameters

Length	D450mm,D800mm
Luminous Efficacy	70LM/W



Dimensions

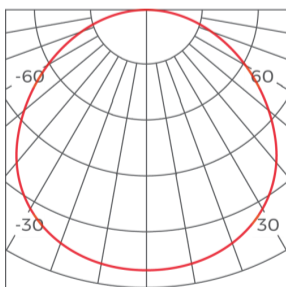


Luminaire Parameters

Version	Size(mm)	Power(W)	PCB Current(A)	CRI	CCT	Lumens(LM) @White, Sliver	Lumens(LM) @Black
Regular	D450mm	6	0.25	>80	4000K	420	357
Regular	D800mm	12	0.5	>80	4000K	840	714
Regular	D450mm	6	0.25	>90	4000K	361	306
Regular	D800mm	12	0.5	>90	4000K	722	613

Light Distribution

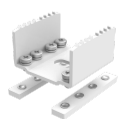
Regular-110°



h(m)	D(cm)	E(lx)
1	277	242
2	554	60
3	831	26
4	1108	14

Common Accessories

Splicing accessory



EX-E15

Applicable product model: CS3535/C E3535 Material process:SPCC/ Electro phoresis Size: L31.5*W30*H18mm Quantity: 1 PCS/SET Other:Includes mounting screws.

Dedicated light source



DA1682415

Applicable product model : AS3535/AH5060 Size: 5000*15*1.5mm Cutting Unit : 35.71mm Input Voltage : DC24V Typ.Power : 20W/M Typ.luminous flux: 756LM/M CCT:RGB CRI: / Other : 20# wire diameter, outer diameter 5mm, red-green-blue-white 4PIN transparent crystal cable



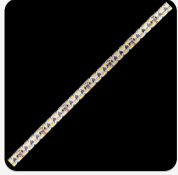
DMA1202415

Applicable product model : AS3535/AH5060 Size: 4000*15*1.5mm Cutting Unit : 50mm Input Voltage : DC24V Typ.Power : 25W/M Typ.luminous flux: 724LM/M CCT: RGB Control Mode:DMX CRI: / Other : 20# wire diameter, outer diameter 5mm, red-green-blue-white 4PIN transparent crystal cable



DS81602415

Applicable product model : AS3535/AH5060 Size: 5000*15*1.5mm Cutting Unit : 50mm Input Voltage : DC24V Typ.Power : 19.2W/M Typ.luminous flux: 2880LM/M CCT: 2700/3000/3500/4000/5000/6500K CRI: 80/90 Other : 18# wire diameter,PVC material, 2PIN red-black wire



DS83202415

Applicable product model:AS3535/AH5060 Size: 4000*15*1.5mm Cutting Unit:50mm/16LEDs Input Voltage:DC24V Typ.Power:38.4W/M(2700K+6500K) Typ.luminous flux: 2880LM/M@2700K CCT: 2700K+6500K CRI: 80/90 Other:Outer diameter 6mm,18# wire diameter, brown-blue-green 3PIN crystal wire

Cover



CV-CS3535D

Applicable product model:CS3535/CS3570/CE3535(suitable for down-lighting) Diffuser Nature: Diffuser Material process: silica gel flexible/frosting Light transmittance:≥55% Size: 20000*32*3.5mm Other: Fire protection rating UL94-V2; increased silicone oil on both sides (dustproof)

Controller



CR2-GBA

Product Name: CR2-GBA Input Voltage: 12-48V Output Current:8A*2CH,Max 16A Output Power:192W/384W@12V/24V , 384W/576W@36V/48V Dimming Mode: Two-color 2.4 remote control IP:IP20 Product Size:L175*W45*H27(mm)

End cap accessory



EC-ME3535

Applicable product model: ME3535 Material process: aluminum/ powder spraying Size: L50*W35*H2.5mm Quantity:2PCS/ set

Installation accessory



RB-04

Applicable product model: ME3535/ME5035/ME7035 Installation method: Recessed Material process: aluminum alloy/oil spray Size: 24*6.9*15.7mm Quantity: 4PCS/ set

CCT-Remote control



R7-1

Product Name:R7-1 Dual Color Remote
 Working Voltage : 3VDC (Battery CR2032)
 Operating Frequency:2.4GHz
 Remote Control Distance: 30 meters
 Operating Temperature: -30°C~55°C
 Product Size: L107*W58.5*H9(mm)

Power Supply

BK-DEV200-24V0D



Applicable product model: General
 Dimming mode: DALI2,PUSH-dimming,1-10V 3in1 dimming
 Size: 361*33.1*22.8mm
 Input voltage: AC200~240V
 Operating frequency: 50/60Hz
 PF value: ≥ 0.9
 Output voltage: DC24V
 Output current: $\leq 8.3A$
 Power: 200W
 Efficiency: 0.92
 Certification: TUV, CE, RCM
 Case material: Metal housing

BK-DGVX-24V0D



Product Name: BK-DGV036-24V0D/BK-DGV060-24V0D/BK-DGV100-24V0D
 Applicable product model: General
 Output power: 36W/60W/100W
 Output current: $\leq 1.5A/\leq 2.5A/\leq 4.2A$
 Product size: 245.0*30.0*21.0mm/285.0*30.0*21.0mm/355.0*30.0*21.0mm
 Input voltage: AC200~240V
 Operating frequency: 50/60Hz
 Output voltage: DC24V
 PF value: ≥ 0.9
 Efficiency: ≥ 0.88
 IP: IP20
 Dimming mode: DALI-2,PUSH-Dimming,1-10V 3in1 Dimming
 Certification: CE, ENEC, UKCA, RCM, CCC, EL
 Material: Metal housing
 Warranty: 5 years

BK-MEV200-24V0M



Applicable product model: General
 Dimming mode: 1-10V Dimming
 Size: 321.5*48*30mm
 Input voltage: AC200~240V
 Operating frequency: 50/60Hz
 PF value: ≥ 0.9
 Output voltage: DC24V
 Output current: $\leq 8.3A$
 Power: 200W
 Efficiency: 0.93
 Certification: CE, ENEC, UKCA, RCM, CCC, EL
 Case material: Metal housing

BK-MGVX-24V0M



Product Name: BK-MGV036-24V0M/BK-MGV060-24V0M/BK-MGV100-24V0M
 Applicable product model: General
 Output power: 36W/60W/100W
 Output current: $\leq 1.5A/\leq 2.5A/\leq 4.2A$
 Product size: 245.0*30.0*21.0mm/285.0*30.0*21.0mm/355.0*30.0*21.0mm
 Input voltage: AC200~240V
 Operating frequency: 50/60Hz
 Output voltage: DC24V
 PF value: ≥ 0.9
 Efficiency: ≥ 0.89
 IP: IP20
 Dimming mode: 1-10V Dimming
 Certification: TUV, CE, ENEC, RCM
 Material: Metal housing
 Warranty: 5 years

LF-GHYXH24



Applicable product model: General
 Dimming mode: Non-Dimming
 Size: 316*30.7*22.8mm / 361*33.1*22.8mm
 Input voltage: AC220~240V
 Operating frequency: 50/60Hz
 PF value: ≥ 0.9
 Output voltage: DC24V
 Output current: $\leq 4.25A / \leq 10A$
 Power: 100W / 240W
 Efficiency: 0.92
 Certification: ENEC, CE, CB, RCM, UKCA, MM, CCC
 Case material: Plastic

Packing

QTY/CTN	N. WT (ctn)	G.WT (ctn)	Size (cm/carton)	Product Size (mm)
40	11.6	12.6	92*37.5*38	D450*50*35mm
24	12.48	13.68	66*62.5*38	D800*50*35mm